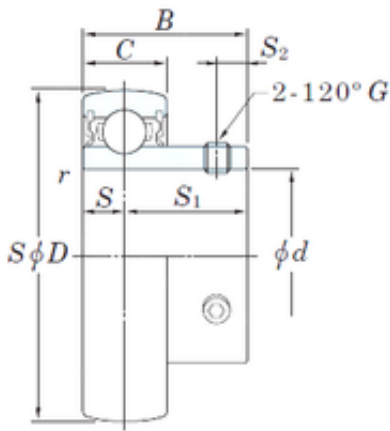




# PRECISION BEARING CORP

## 120 mm x 260 mm x 126 mm KOYO UC324 deep groove ball bearings

Bearing No. UC324



UC324 Bearing 2D drawings and 3D CAD models

Size	120x260x126 mm
Bore Diameter	120 mm
Outer Diameter	260 mm
Width	126 mm
d	120 mm
D	260 mm
B	126 mm
C	64 mm
S1	75 mm
r min.	3 mm
S	51 mm
S2	20 mm
Thread (G)	M18 × 1,5
Weight	19 Kg
Basic dynamic load rating (C)	207 kN
Basic static load rating (C0)	185 kN