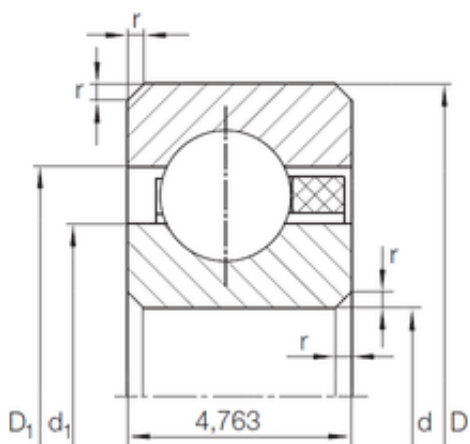




PRECISION BEARING CORP

25,4 mm x 34,925 mm x 4,763 mm INA CSCAA 010 TN deep groove ball bearings

Bearing No. CSCAA 010 TN



CSCAA 010 TN Bearing 2D drawings and 3D CAD models

Size	25.4x34.925x4.763 mm
Bore Diameter	25,4 mm
Outer Diameter	34,925 mm
Width	4,763 mm
d	25,4 mm
D	34,925 mm
B	4,763 mm
C	4,763 mm
d1	29 mm
r min.	0,38 mm
D1	31,4 mm
Weight	0,01 Kg
Basic dynamic load rating (C)	17,7 kN
Basic static load rating (C0)	10,8 kN