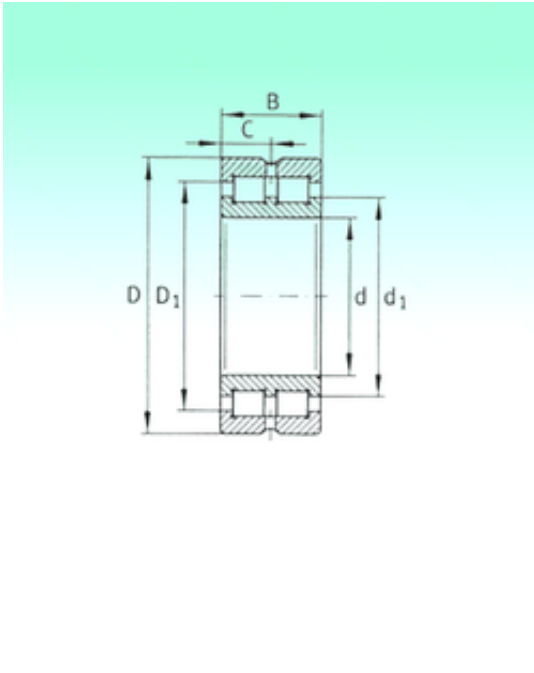




PRECISION BEARING CORP



SL014936 Bearing 2D drawings and 3D CAD models

180 mm x 250 mm x 69 mm NBS SL014936
cylindrical roller bearings

Bearing No. SL014936

Size	180x250x69 mm
Bore Diameter	180 mm
Outer Diameter	250 mm
Width	69 mm
d	180 mm
D	250 mm
B	69 mm
C	69 mm
d1	204,9 mm
C	34,5 mm
D1	224,1 mm
Weight	10,8 Kg
Basic dynamic load rating (C)	580 kN
Basic static load rating (C0)	1230 kN