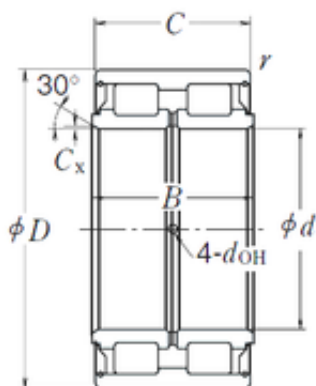




PRECISION BEARING CORP

220 mm x 340 mm x 160 mm NSK RS-5044
cylindrical roller bearings



Bearing No. RS-5044

Size	220x340x160 mm
Bore Diameter	220 mm
Outer Diameter	340 mm
Width	160 mm
d	220 mm
D	340 mm
B	160 mm
C	159 mm
r min.	1,1 mm
C2	1,5 mm
Weight	53 Kg
Basic dynamic load rating (C)	1510 kN
Basic static load rating (C0)	3100 kN
hidYobi	RS-5044
LangID	1
D_	340
B_	160
hidTable	ecat_NSCLDRSG
Cx	1.5
mass	53
GRS rpm	430
da_min	228.5
C0	3100
DE_	309
Prod_Type3	CRB_FRFS_PT_WOLR

RS-5044 Bearing 2D drawings and 3D CAD models



PRECISION BEARING CORP

DA_	30
Z_	29
r_min	1.1
yobi	RS-5044
SDM_	279
r	159
KBRG	4220
DI_	249
doh	7