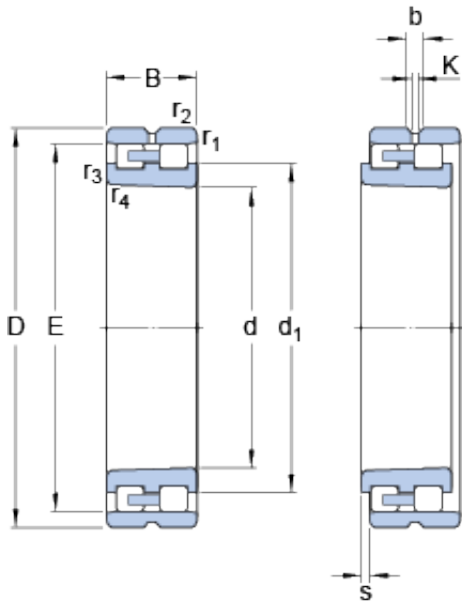




PRECISION BEARING CORP



160 mm x 240 mm x 60 mm SKF NN 3032 K/SPW33 cylindrical roller bearings

Bearing No. NN 3032 K/SPW33

NN 3032 K/SPW33 Bearing 2D drawings and 3D CAD models

Size	160x240x60 mm
Bore Diameter	160 mm
Outer Diameter	240 mm
Width	60 mm
d	160 mm
D	240 mm
B	60 mm
d ₁	190 mm
E	219 mm
b	8.5 mm
K	4.5 mm
r _{1,2} - min.	2.1 mm
r _{3,4} - min.	1.1 mm
s	2.5 mm
d _a - min.	171 mm
D _a - min.	221 mm
D _a - max.	229 mm
r _a - max.	2 mm
d _n	214.4 mm
Basic dynamic load rating - C	369 kN
Basic static load rating - C ₀	655 kN
Fatigue load limit - P _u	69.5 kN
Limiting speed for grease lubrication	3600 r/min



PRECISION BEARING CORP

Limiting speed for oil lubrication	4000 mm/min
G_{ref}	78 cm
Static radial stiffness (guideline value)	3540 N/micron
Category	Cylindrical Roller Bearings
Inventory	0.0
Manufacturer Name	SKF
Minimum Buy Quantity	N/A
Weight / Kilogram	9.429
Product Group	B04270
Bore Profile	Tapered
Cage Material	Brass
Precision Class	Special Precision
Number of Rows of Rollers	Double Row
Separable	Outer Ring - Both Sides
Rolling Element	Cylindrical Roller Bearing
Profile	Complete with Outer and Inner Ring
Snap Ring	No
Internal Clearance	C1-Tight
Retainer	Yes
Relubricatable	Yes
Inch - Metric	Metric
Other Features	3 Rib Inner Ring Plain Outer Ring High Precision Bearing Cage on Inner Ring OD
Long Description	160MM Bore; Tapered Bore Profile; 240MM Outside Diameter; 60MM Width; Brass Cage Material; Special Precision; Double Row; Outer Ring - Both Sides Separable; No Snap Ring; Relubricatable; C1-Tight Int



PRECISION BEARING CORP

Category	Cylindrical Roller Bearing
UNSPSC	31171547
Harmonized Tariff Code	8482.50.00.00
Noun	Bearing
Manufacturer URL	http://www.skf.com
Manufacturer Item Number	NN 3032 K/SPW33
Weight / LBS	20.768
Width	2.362 Inch 60 Millimeter
Outside Diameter	9.449 Inch 240 Millimeter
Bore	6.299 Inch 160 Millimeter
d_1	190 mm
$r_{1,2}$ min.	2.1 mm
$r_{3,4}$ min.	1.1 mm
s max.	2.5 mm
d_a min.	171 mm
D_a min.	221 mm
D_a max.	229 mm
d_n	214.4 mm
Basic dynamic load rating C	369 kN
Basic static load rating C_0	655 kN
Fatigue load limit P_u	69.5 kN
Attainable speed for grease lubrication	3600 r/min
Attainable speed for oil-air lubrication	4000 r/min
Reference grease quantity G_{ref}	78 cm ³
Mass bearing	8.8 kg