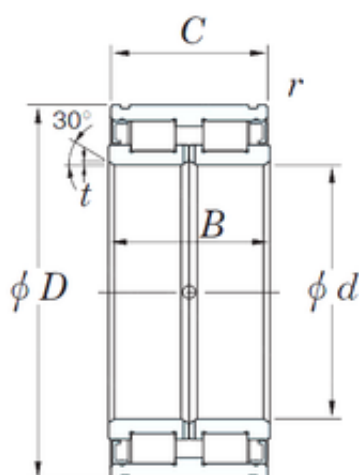




## PRECISION BEARING CORP



50 mm x 80 mm x 40 mm KOYO DC5010N  
cylindrical roller bearings

Bearing No. DC5010N

Size	50x80x40 mm
Bore Diameter	50 mm
Outer Diameter	80 mm
Width	40 mm
d	50 mm
D	80 mm
B	40 mm
C	39 mm
t	0,9 mm
r min.	0,6 mm
C1	30 mm
S	4,5 mm
Ca	30 mm
da min.	56 mm
Da min	92 mm
Weight	0,75 Kg
Basic dynamic load rating (C)	99,7 kN
Bearing No.	DC5010N
r(min)	0.6
Cr	99.7
C0r	158
E	-
f	-
da(min)	56
Dx(min)	-

DC5010N Bearing 2D drawings and 3D CAD models



## PRECISION BEARING CORP

C2	-
(Refer.) Mass(kg)	0.75