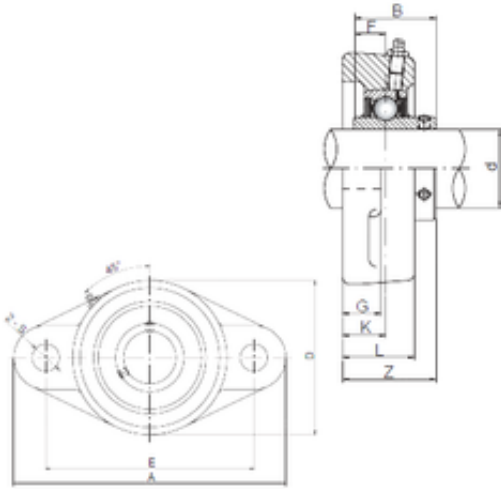




# PRECISION BEARING CORP

40 mm x 111 mm x 49,2 mm ISO UCFLX08 bearing units

Bearing No. UCFLX08



UCFLX08 Bearing 2D drawings and 3D CAD models

Bore Diameter	40 mm
d	40 mm
B	49,2 mm
Z	52,2 mm
A	179 mm
D	111 mm
E	148 mm
F	19 mm
G	16 mm
K	22 mm
L	40 mm
S	16 mm
Bolt (G)	M14