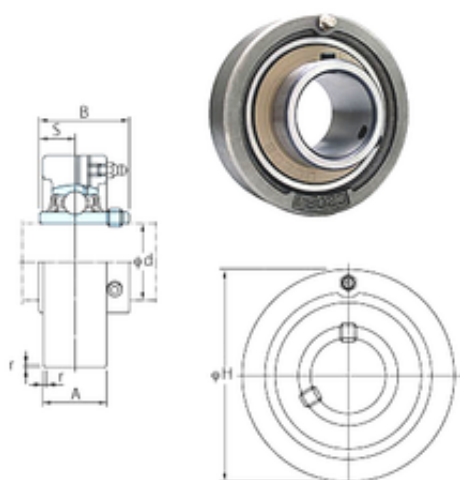




PRECISION BEARING CORP

FYH UCC206 bearing units



Bearing No. UCC206

Bore Diameter	30 mm
Width	38,1 mm
d	30 mm
r	1,5 mm
A	27 mm
B	38,1 mm
H	85 mm
S	15,9 mm
Weight	0,81 Kg
Basic dynamic load rating (C)	19,5 kN
Basic static load rating (C0)	11,3 kN
Category	Cartridge Unit Bearings
Inventory	0.0
Manufacturer Name	FYH BEARING UNITS
Minimum Buy Quantity	N/A
Weight / Kilogram	0.81
Product Group	M06110
Mounting Method	Set Screw
Housing Style	Cartridge Unit
Housing Material	Cast Iron
Rolling Element	Ball Bearing
Expansion / Non-expansion	Non-expansion
Relubricatable	Yes
Insert Part Number	UC206
Seals	Single Lip Contact
Other Features	Single Row Normal Duty

UCC206 Bearing 2D drawings and 3D CAD models



PRECISION BEARING CORP

	NBR Seal Has Slinger
Long Description	30MM Bore; 85MM Outside Diameter; 27MM Cartridge Housing Width; Set Screw; Cartridge Unit; Cast Iron; Ball Bearing; 38.1MM Length Thru Bore; Relubricatable; UC206 Insert; Single Lip Contact; Non-expan
Inch - Metric	Metric
Category	Mounted Cartridge Units
UNSPSC	31171535
Harmonized Tariff Code	8483.20.40.40
Noun	Bearing
Keyword String	Cartridge
Manufacturer URL	http://www.fyhbearings.com
Manufacturer Item Number	UCC206
Weight / LBS	1.786
Bore	1.181 Inch 30 Millimeter
Outside Diameter	3.346 Inch 85 Millimeter
Cartridge Housing Width	1.063 Inch 27 Millimeter
Length Thru Bore	1.5 Inch 38.1 Millimeter