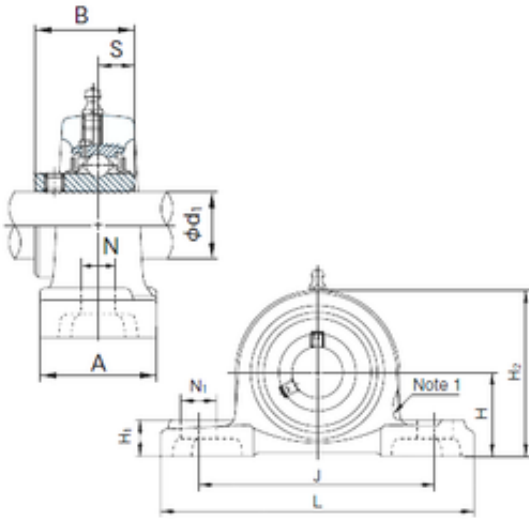




PRECISION BEARING CORP

NACHI UCP312 bearing units

Bearing No. UCP312



UCP312 Bearing 2D drawings and 3D CAD models

Bore Diameter	60 mm
Width	71 mm
d	60 mm
A	85 mm
B	71 mm
H	85 mm
H1	33 mm
H2	165 mm
J	250 mm
L	330 mm
N	25 mm
N1	38 mm
S	26 mm
Bolt (G)	M20