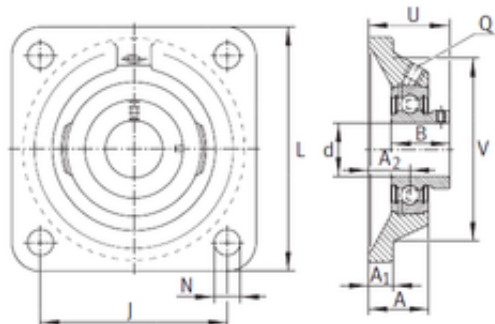




PRECISION BEARING CORP

INA PCJY45 bearing units



Bearing No. PCJY45

Bore Diameter	45 mm
d	45 mm
V	116 mm
U	54,5 mm
Thread (Q)	Rp1/8
A	35 mm
A1	13 mm
B	41,5 mm
J	105 mm
L	137 mm
N	14 mm
A2	24 mm
Weight	2 Kg
Basic dynamic load rating (C)	32,5 kN
Category	Flange Block Bearings
Inventory	0.0
Manufacturer Name	SCHAEFFLER GROUP
Minimum Buy Quantity	N/A
Weight / Kilogram	2.4
EAN	4012802802337
Product Group	M06110
Number of Mounting Holes	4
Mounting Method	Set Screw
Housing Style	4 Bolt Square Flange Block
Rolling Element	Ball Bearing
Housing Material	Cast Iron

PCJY45 Bearing 2D drawings and 3D CAD models



PRECISION BEARING CORP

Expansion / Non-expansion	Non-expansion
Mounting Bolts	14 Millimeter
Relubricatable	Yes
Insert Part Number	GAY45NPPB
Seals	Double Lip Contact
Housing Configuration	1 Piece Solid
Pilot Configuration	No Pilot
Inch - Metric	Metric
Long Description	4 Bolt Square Flange Block; 45MM Bore; 148MM Bolt Circle; 105MM Bolt Spacing; 1 Piece Solid; Set Screw Mount; Cast Iron; Ball Bearing; 41.5MM Length Thru Bore; Relubricatable; Double Lip Contact Seals
Other Features	Single Row With Grub Screw
Category	Flange Block
UNSPSC	31171501
Harmonized Tariff Code	8483.20.40.40
Noun	Bearing
Keyword String	Flanged
Manufacturer URL	http://www.ina.com
Manufacturer Item Number	PCJY45
Weight / LBS	5.292
Bore	1.772 Inch 45 Millimeter
Nominal Bolt Circle Diameter Round	5.8 Inch 148 Millimeter
Cartridge Pilot Diameter	0 Inch 0 Millimeter
Cartridge Pilot Depth	0 Inch 0 Millimeter
Length Thru Bore	1.634 Inch 41.5 Millimeter
Bolt Spacing	4.134 Inch 105 Millimeter