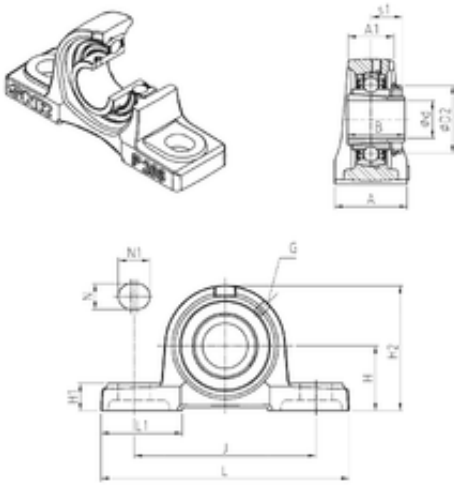




PRECISION BEARING CORP



SNR UKP205H bearing units

Bearing No. UKP205H

Bore Diameter	20 mm
d	20 mm
s1	18,5 mm
A	38 mm
A1	26 mm
B	35 mm
D2	38 mm
H	36,5 mm
H1	16 mm
H2	70 mm
J	105 mm
L	140 mm
L1	42 mm
N	13 mm
N1	19 mm
Thread (G)	M6x1
Weight	0,8 Kg
Basic dynamic load rating (C)	14 kN

UKP205H Bearing 2D drawings and 3D CAD models