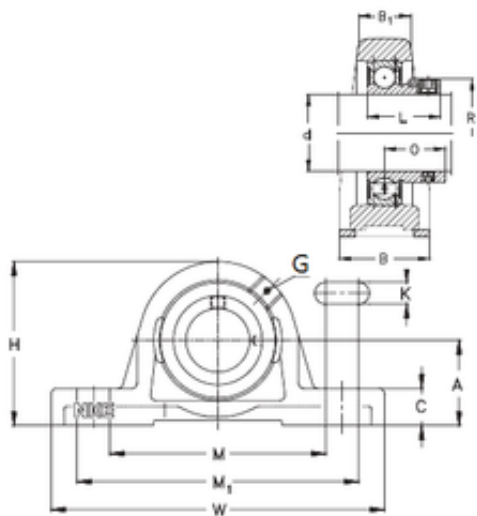




# PRECISION BEARING CORP

## NKE RASEY45 bearing units

Bearing No. RASEY45



Bore Diameter	45 mm
Width	48 mm
d	45 mm
O	30,2 mm
A	54 mm
B	48 mm
B1	32 mm
C	21,5 mm
H	107 mm
K	14 mm
L	49,2 mm
M	135 mm
M1	164,3 mm
W	192 mm
Thread (G)	R1/8 "

RASEY45 Bearing 2D drawings and 3D CAD models