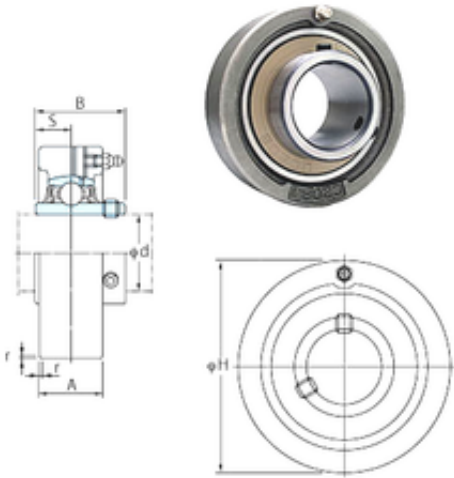




PRECISION BEARING CORP

FYH UCC307 bearing units

Bearing No. UCC307



UCC307 Bearing 2D drawings and 3D CAD models

Bore Diameter	35 mm
Width	48 mm
d	35 mm
r	3 mm
A	32 mm
B	48 mm
H	110 mm
S	19 mm
Weight	2,2 Kg
Basic dynamic load rating (C)	33,4 kN
Basic static load rating (C0)	19,3 kN