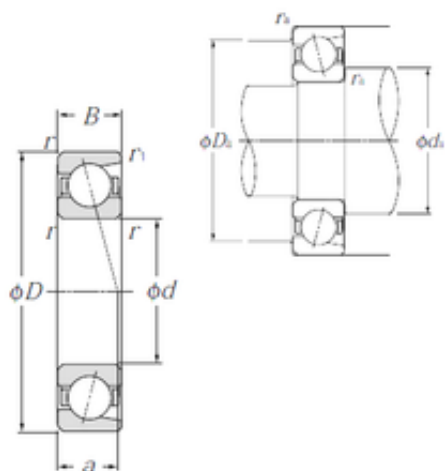




PRECISION BEARING CORP

190 mm x 340 mm x 55 mm NTN 7238 angular contact ball bearings



Bearing No. 7238

Size	190x340x55 mm
Bore Diameter	190 mm
Outer Diameter	340 mm
Width	55 mm
d	190 mm
D	340 mm
B	55 mm
C	55 mm
Angle (°)	25 °
a	104 mm
r min.	4 mm
r1 min.	1,5 mm
da min.	208 mm
ra max.	3 mm
Weight	21,3 Kg
Basic dynamic load rating (C)	305 kN
Basic static load rating (C0)	390 kN
(Grease) Lubrication Speed	2 000 r/min

7238 Bearing 2D drawings and 3D CAD models